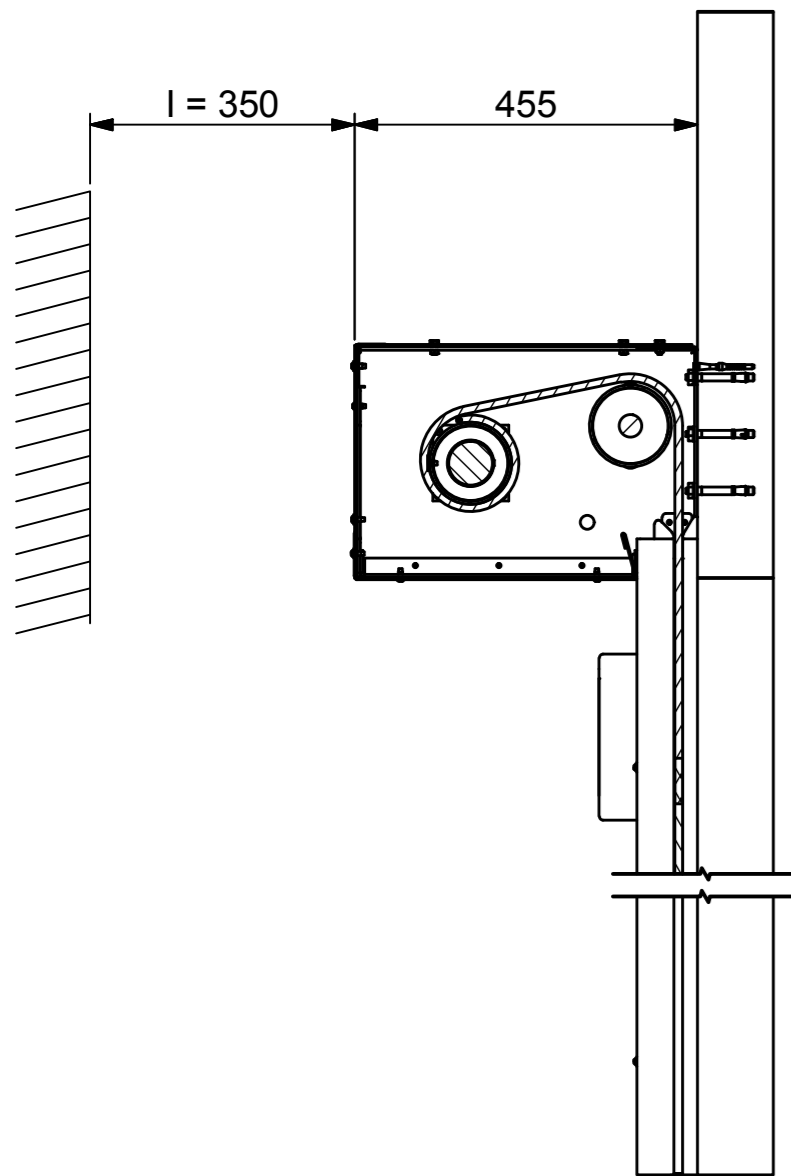
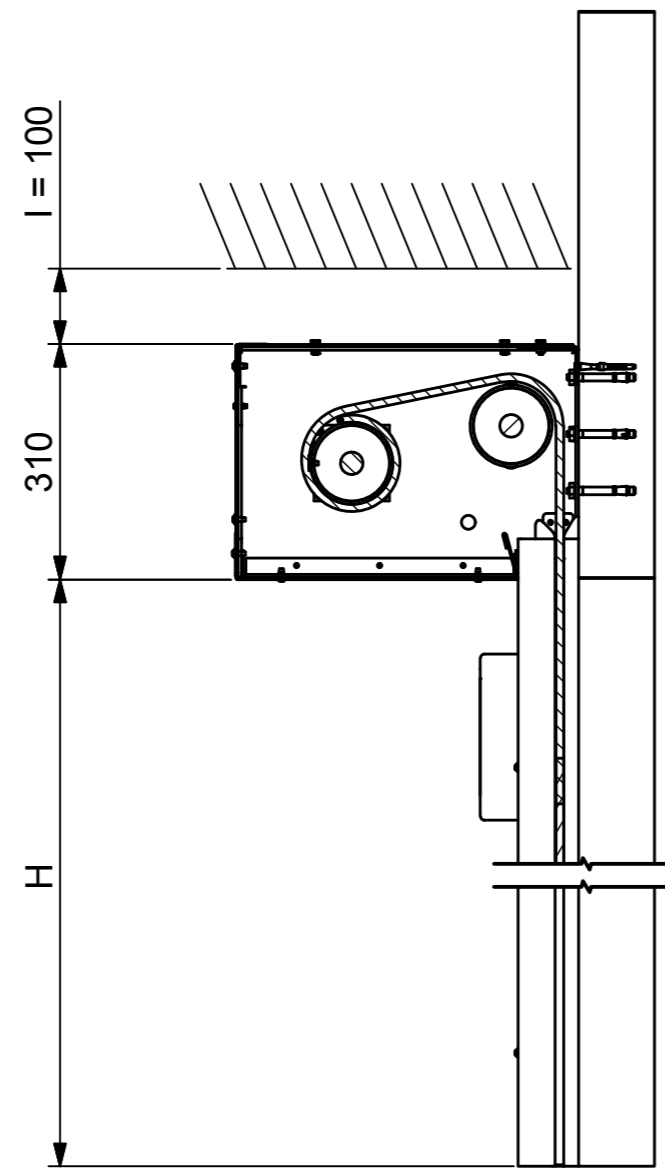


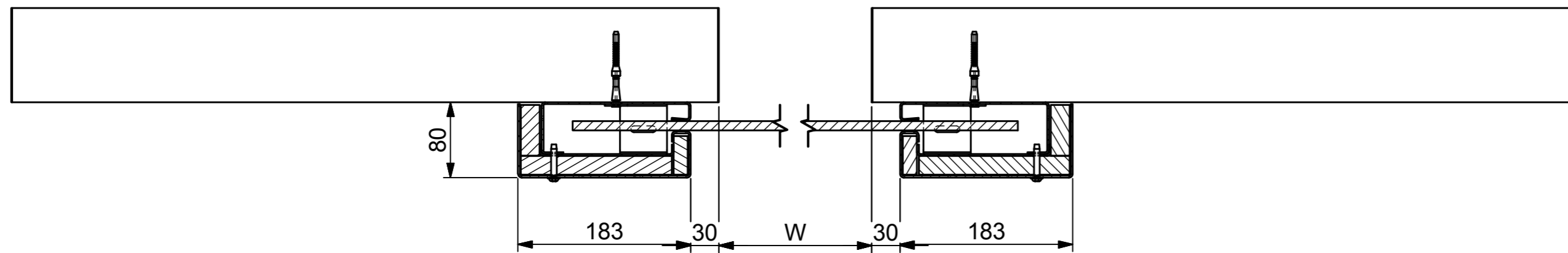
D



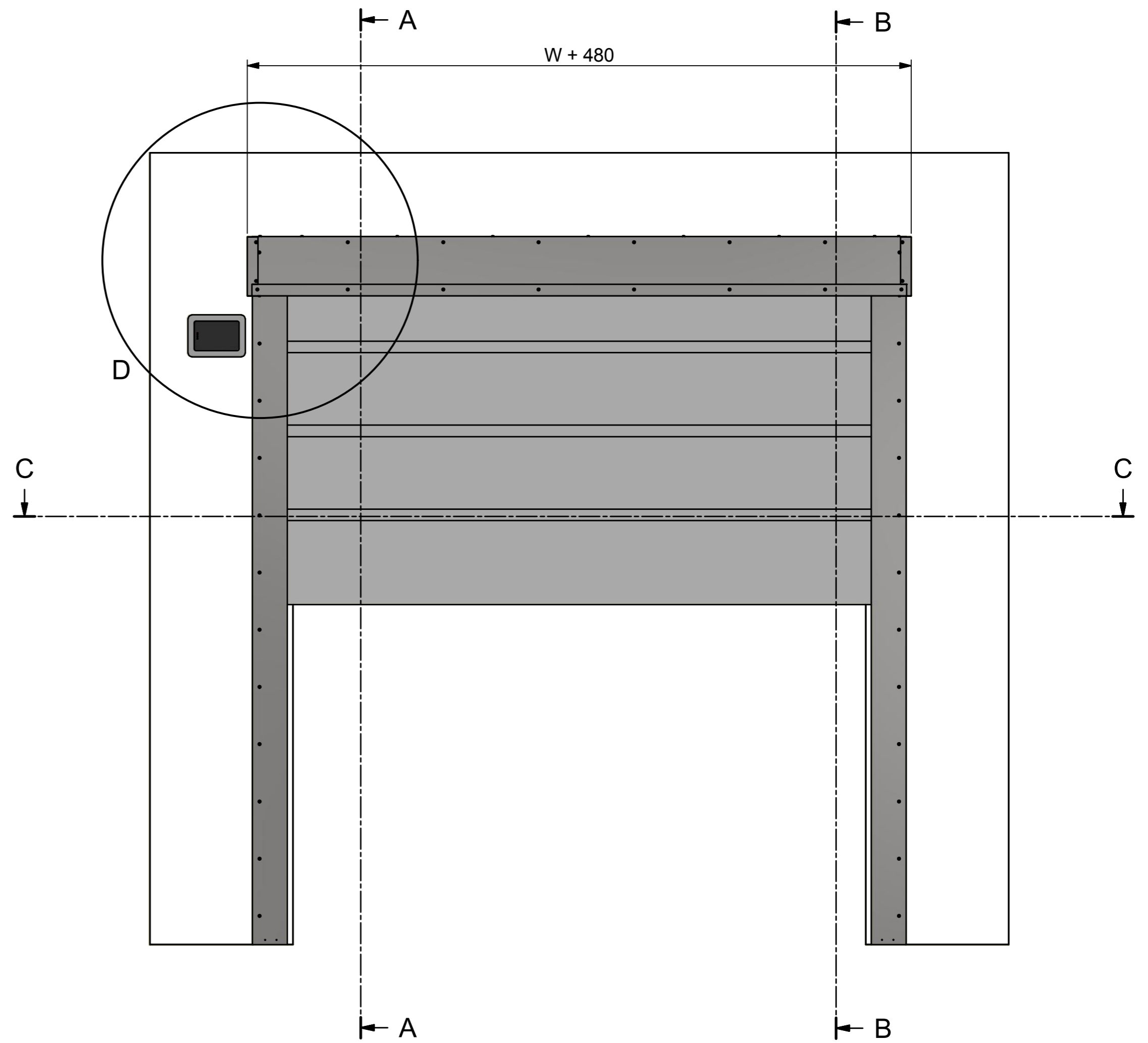
A-A (1 : 10)



B-B (1 : 10)



C-C (1 : 5)



CREATED BY:	DATE: 7-1-2016	CLIENT:	
UNIT: mm	TOL.: ±0,5; ±1°		
SCALE: 1 : 20	PROJ.:	FORMAT: A2	PROJECT:
MASS: N/A			
<b>FPROJECTS</b>		DESCRIPTION: Brandwerend rolscherm E11 30	DOOR NO: 1
PROJECT NO: HBS1120	DRAWING NO: 1120-022-A	REV NO: 0	SHEET: 1 v 1
This drawing is property of FAAC. Reproduction or disclosure to third parties in any form whatsoever is not allowed without explicit written consent of Hoefnagels.			

I:	Minimum required installation space	Ninimaal benötigt einbauräum	Minimale requise l'espace de montage	Minimaal vereiste inbouwruimte
H:	Free passage height/ opening height	Freie durchgangshöhe/ Öffnungshöhe	Hauteur de passage libre/ hauteur d'ouverture	Dagmaat hoogte
W:	Free passage width/ opening width	Freie durchgangsbreite/ Öffnungsbreite	Largeur de passage libre/ largeur d'ouverture	Dagmaat breedte